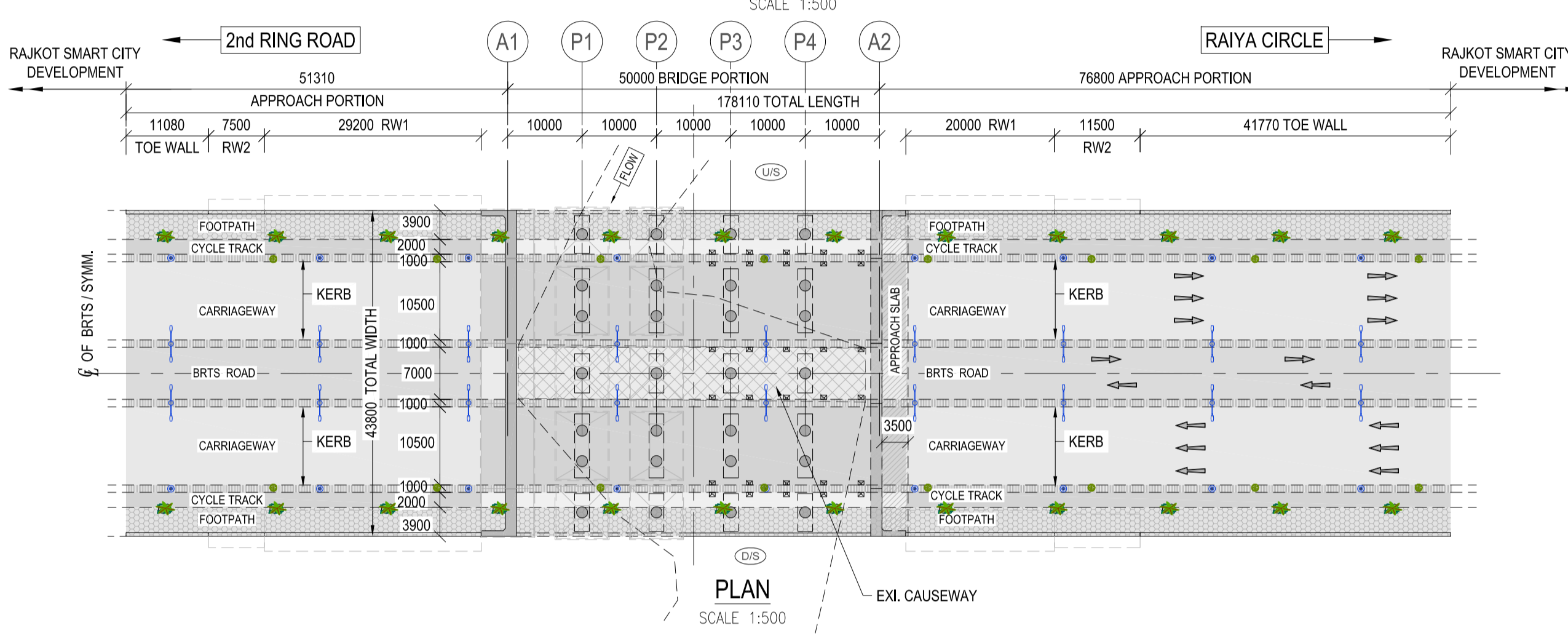
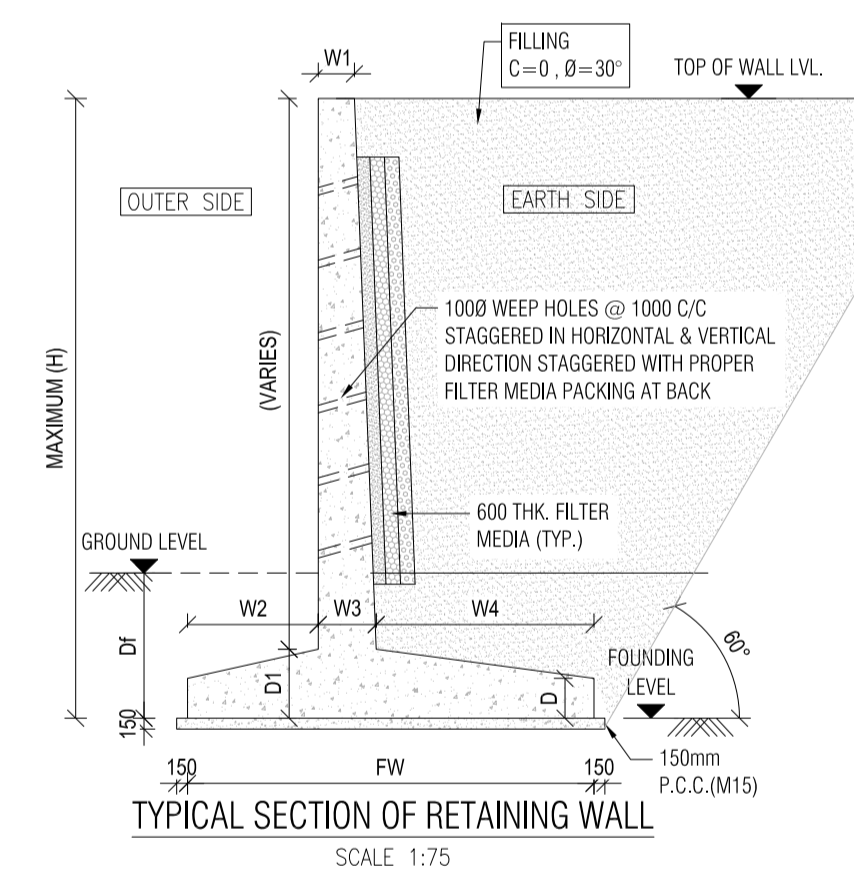


LONGITUDINAL SECTION  
SCALE 1:500

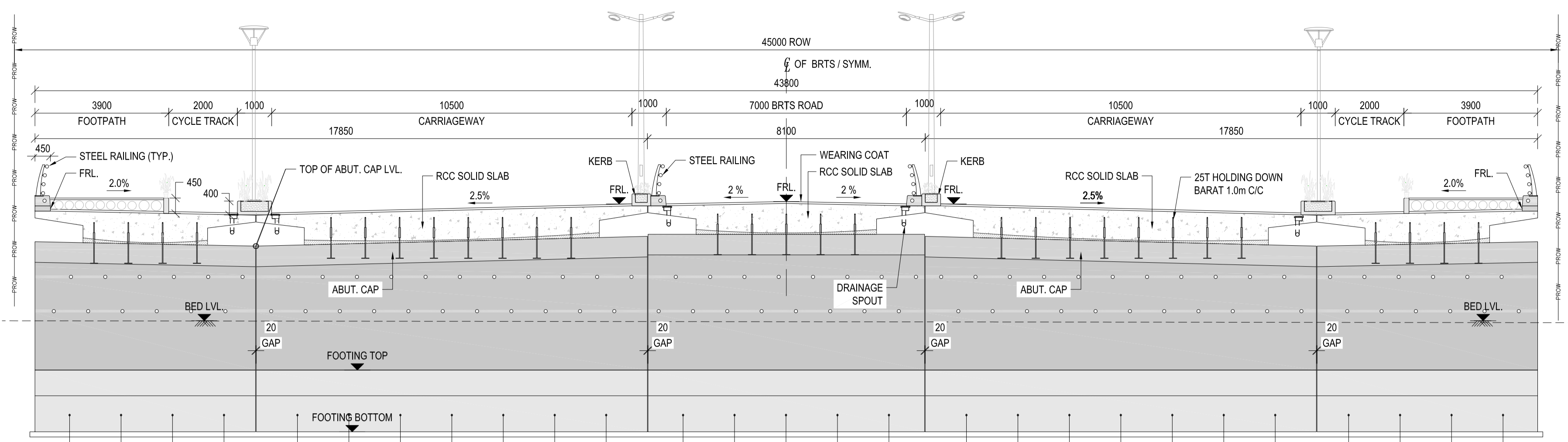


PLAN  
SCALE 1:500

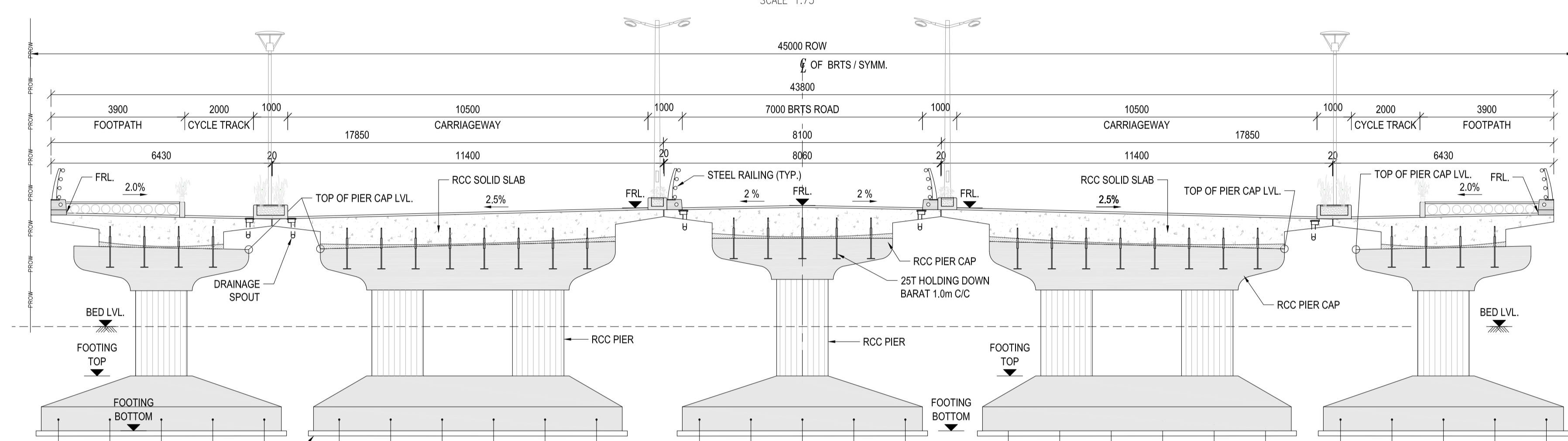


TYPICAL SECTION OF RETAINING WALL  
SCALE 1:75

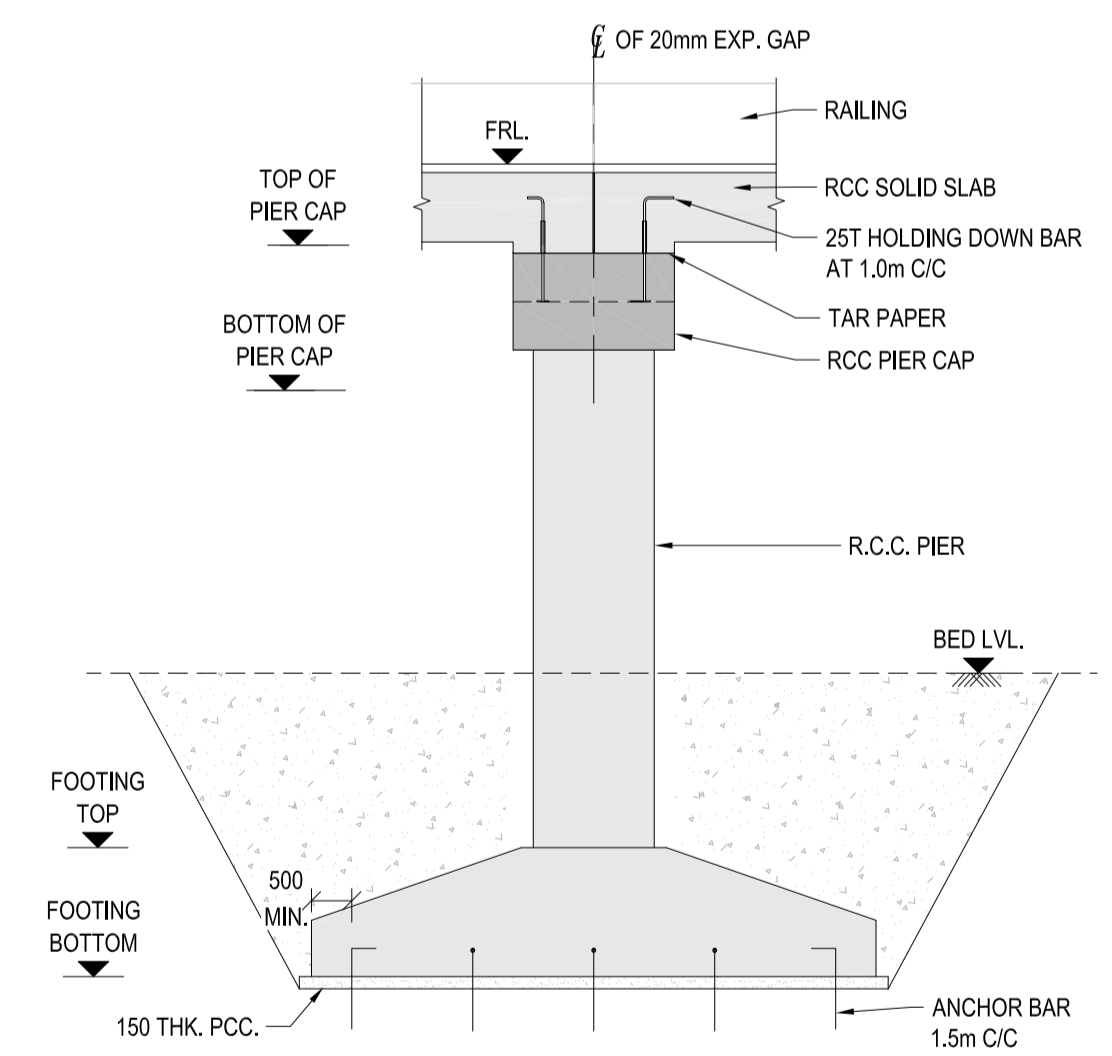
BH-1		BH-2		BH-3	
DESCRIPTION	ROD	DESCRIPTION	ROD	DESCRIPTION	ROD
ROCK FRAGMENT	0.00	ROCK FRAGMENT	0.00	ROCK FRAGMENT	0.00
ROCK FRAGMENT	1.50	ROCK FRAGMENT	1.50	ROCK FRAGMENT	1.50
ROCK CORE	3.00	ROCK CORE	3.00	ROCK CORE	4.2
ROCK CORE	4.50	ROCK CORE	4.50	ROCK CORE	33
ROCK CORE	6.00	ROCK CORE	6.00	ROCK CORE	83
		ROCK CORE	8.00	ROCK CORE	73



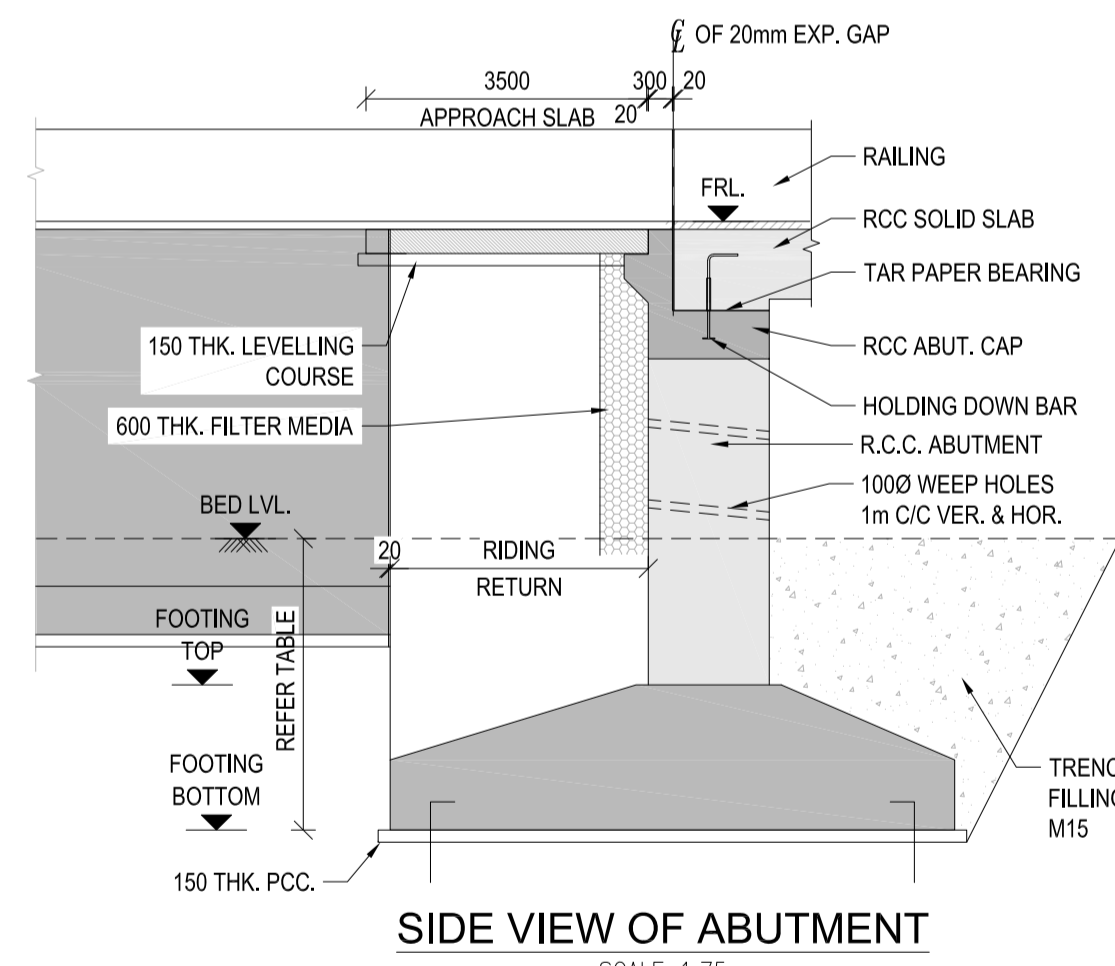
SECTIONAL ELEVATION OF ABUTMENT  
SCALE 1:75



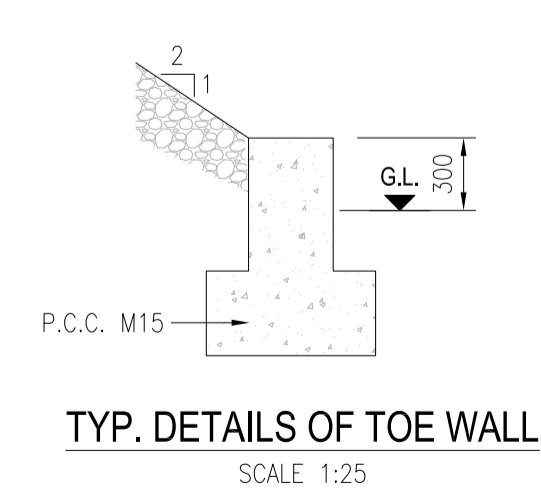
SECTIONAL ELEVATION OF PIER  
SCALE 1:75



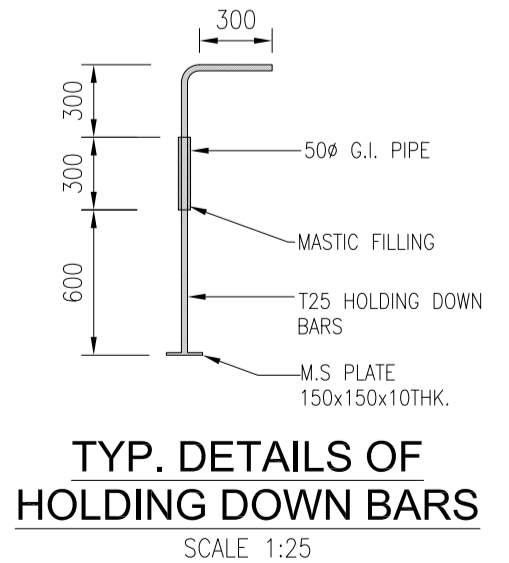
SIDE VIEW OF PIER  
SCALE 1:75



SIDE VIEW OF ABUTMENT  
SCALE 1:75



TYP. DETAILS OF TOE WALL  
SCALE 1:25



TYP. DETAILS OF HOLDING DOWN BARS  
SCALE 1:25

**LEGEND:-**

- CL CENTER LINE
- FRL FINISHED ROAD LEVEL
- DGL GROUND LEVEL
- HFL HIGH FLOOD LEVEL
- U/S UPSTREAM SIDE
- D/S DOWNSTREAM SIDE
- PCC PLAIN CEMENT CONCRETE
- THK. THICKNESS
- ROW RIGHT OF WAY

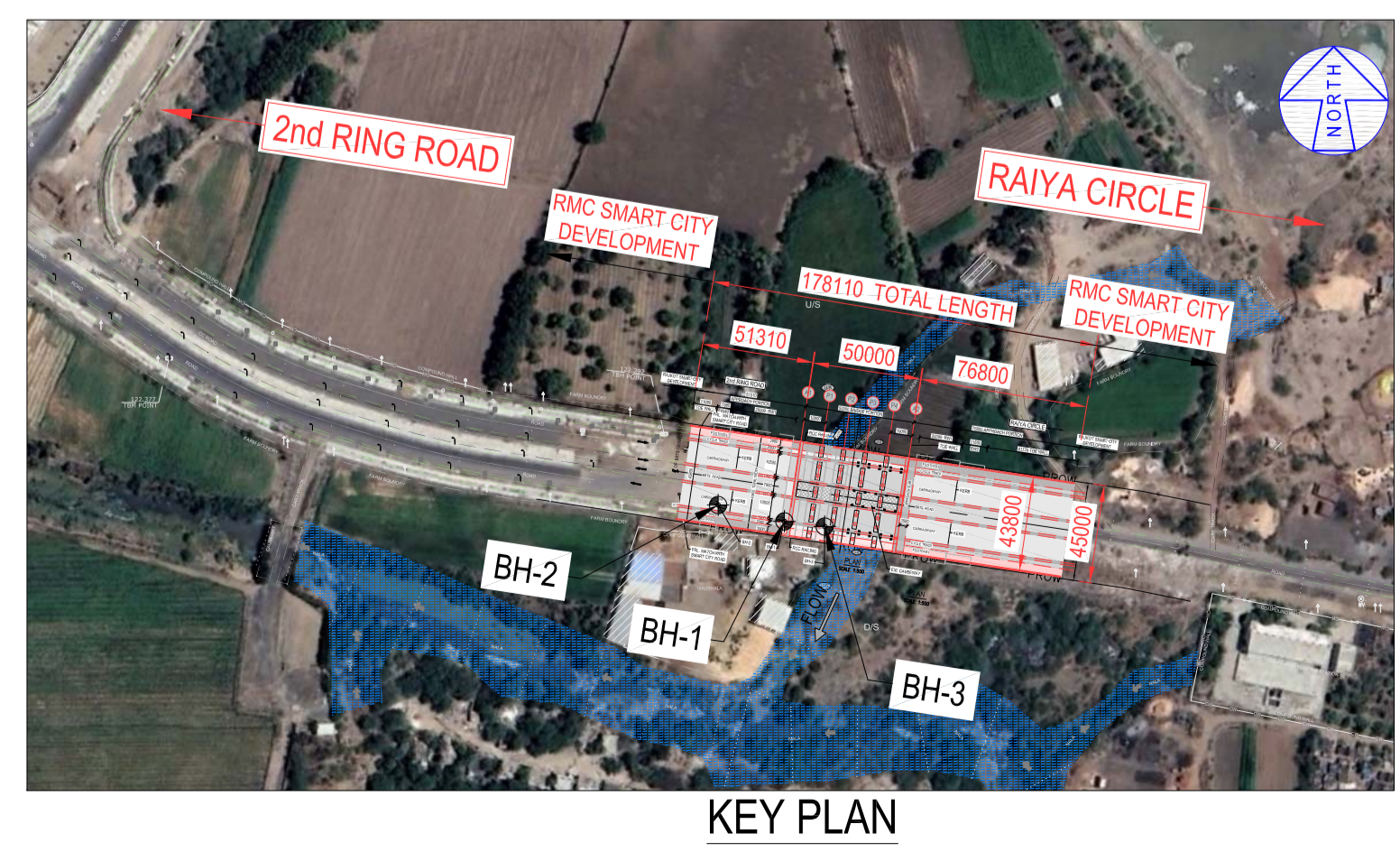
**STRUCTURAL AND OTHER DATA:-**

- SPAN ARRANGEMENT : 5 x 10.0m c/c EACH
- SUB STRUCTURE : R.C.C. PIER, ABUTMENT
- BEARINGS : TAR PAPER
- SUPER STRUCTURE : R.C.C. SOLID SLAB
- WEARING COARSE : 56mm THK
- EXPANSION JOINT : METAL TYPE EXPANSION
- DRAINAGE SPOUTS : AT 5.0m c/c
- RAILING : STEEL RAILING
- FOUNDATION : OPEN FOUNDATION

**CONCRETE GRADE:**

- R.C.C. FOOTING : M35
- R.C.C. PIER & ABUTMENT : M35
- R.C.C. PIER CAP, ABUT. CAP & DIRT WALL : M35
- R.C.C. SOLID SLAB : M35
- APPROACH SLAB & RETAINING WALL : M30
- RCC KERB : M30
- PCC LEVELING COURSE : M15
- STEEL GRADE : Fe500 D

- NOTES:**
- ALL DIMENSIONS ARE IN MILLIMETER AND LEVELS ARE IN METER UNLESS OTHERWISE MENTIONED.
  - DIMENSIONS SHALL NOT BE SCALED OFF FROM THE DRAWING.
  - THE BRIDGE SHALL BE DESIGN FOR THREE LANE OF IRC, CLASS A LOADING OR ONE LANE OF CLASS 70R OR ONE LANE OF CLASS 70R+ONE LANE OF CLASS A OR ONE LANE OF SPV. LOADING WITH WORST COMBINATION AS PER IRC. 6-2017.
  - THE CONCRETE DIMENSIONS SHOWN IN THIS DRAWING ARE BASED ON PRELIMINARY DESIGN & MAY CHANGE DURING FINAL DESIGN.
  - LAYING OF FILTER MEDIA FOR DRAINAGE AND BACK FILLING BEHIND ABUTMENT/RETURN WALLS SHALL BE DONE IN ACCORDANCE WITH APPENDIX-6 OF IRC:78:2014.
  - BACK FILLING BEHIND ABUTMENTS SHALL CONSIST OF SELECTED EARTH CONFIRMING TO APPENDIX-6 OF IRC:78:2014 HAVING PROPERTIES  $C=0$ ,  $\phi > 30^\circ$ ,  $\delta = 20^\circ$  &  $\gamma d = 20 \text{ kN/m}^3$ .
  - THE DESIGN OF FOUNDATION IS CARRIED OUT CONSIDERING THE SOIL INVESTIGATION DONE EARLIER BY STERN TESTING & CONSULTANCY PVT. LTD. RAJKOT, REPORT NO. STC/REPORT/4804-DATE:28-02-2024.



KEY PLAN

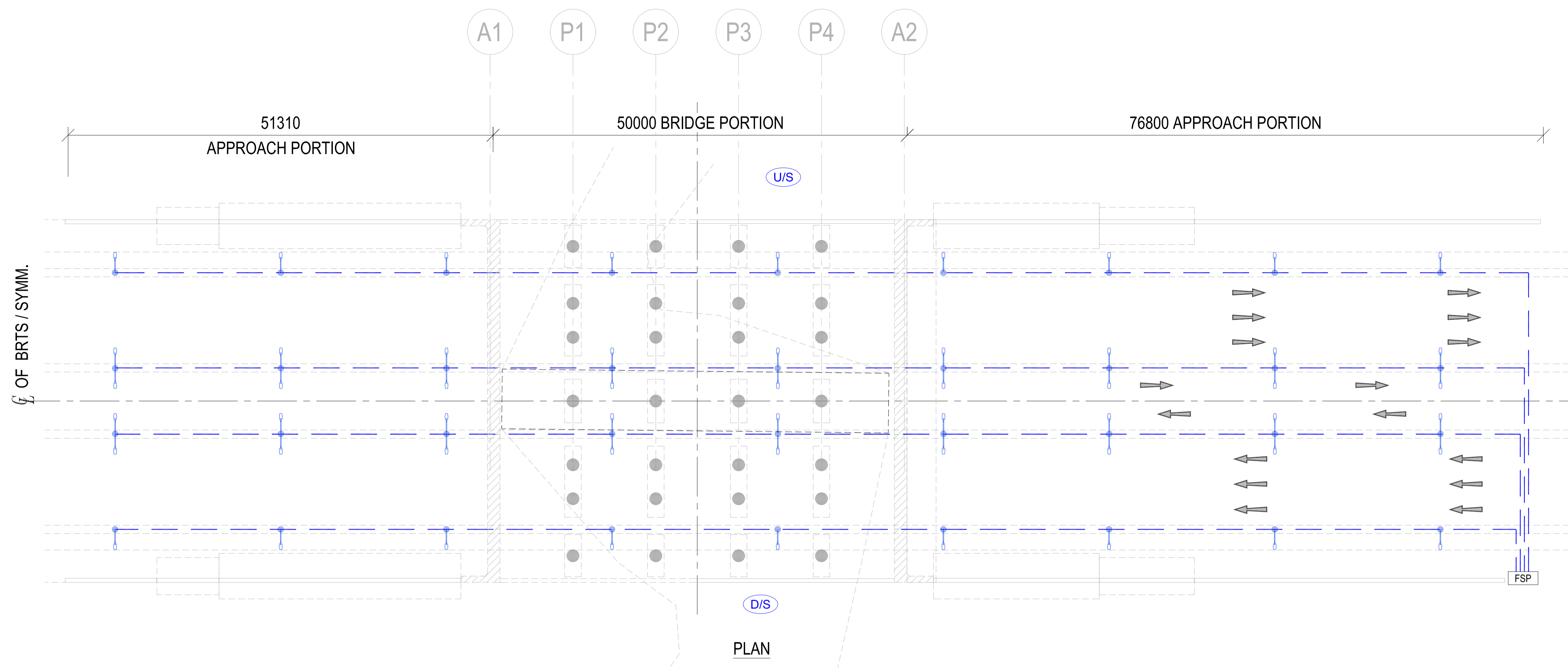
REFERENCE DRAWING	DRAWING No.		DRAWING TITLE		REVISIONS	APPROVAL	NAME	DATE	APPROVAL	NAME	DATE	CLIENT: RAJKOT MUNICIPAL CORPORATION (RMC) PROJECT: CONSTRUCTION OF HIGH LEVEL BRIDGE ON RAIYA ROAD CONNECTING 2nd RING ROAD & RAIYA CHOWK TITLE: LAYOUT & GENERAL ARRANGEMENT OF BRIDGE SHEET 1 of 1	
	A		16/02/2024 ISSUED FOR APPROVAL			DRN	CHK	NP	NP	ARS	ARS		16/02/2024
	B		02/10/2024 ISSUED FOR TENDER			AR	NP	NP	NP	ARS	ARS		16/02/2024
	REV		DATE			DESCRIPTION		DESIGNER		PROJECT LEADER			DISCIPLINE

FILENAME: 9266-BR-GAD-101\_RB\_02-10-2024 GAD OF BRIDGE (SOLID SLAB)\_HLB RAIYA-APPROVAL

SCALE U.O.N. AS SHOWN DWF No. 9266-BR-GAD-101 SIZE A1

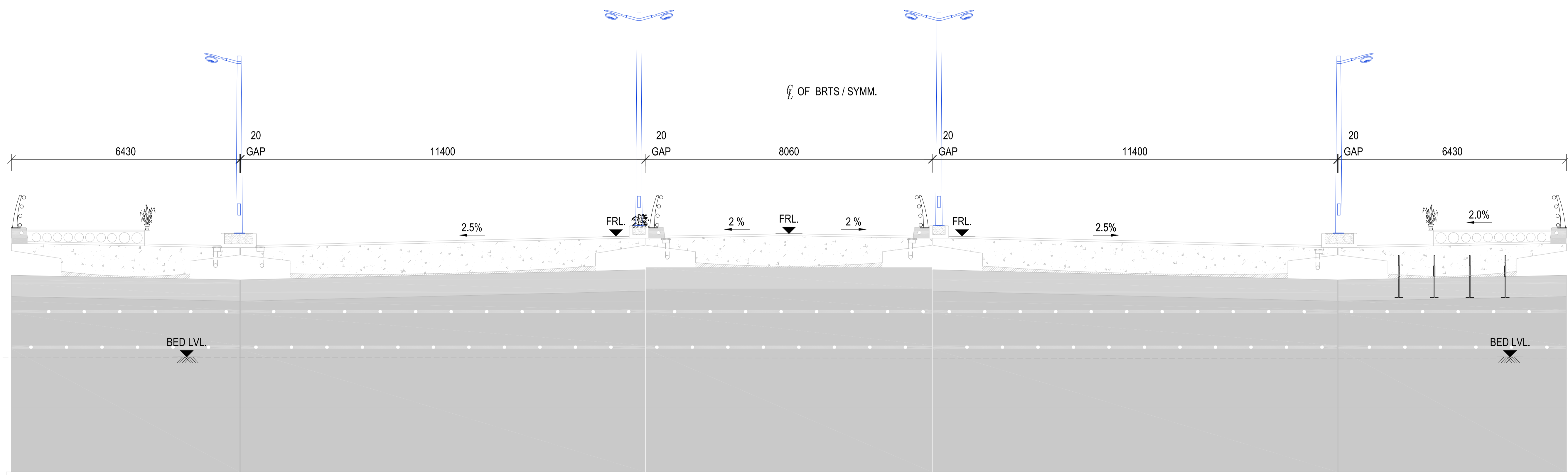
FOR TENDER

**DELTA CONSULTING ENGINEERS (INDIA) PVT. LTD.**  
 Consulting Engineers & Project Managers (ISO 9001:2008 Certified Company)  
 101, 2nd Floor, Shree-1, Opp. Shree Plaza, BMA TRK Road, Anandwad, Ahmedabad-380015, Gujarat, India.  
 Tel: +917926309992, +917925005564 (M) Fax: +917926309992, email: info@deltagroupindia.com, web: www.deltagroupindia.com



**LEGEND: - STREET LIGHT**

- POST TOP POLE  
40W FIXTURE ON 6 MTR POLE
- 8.0 MTR DOUBLE ARM POLE  
120W FIXTURE AT 8 MTR ON CARRIAGE WAY  
70W FIXTURE AT 6 MTR ON BRTS ROAD
- CABLE ROUTE
- FSP FEEDER SECTION PILLAR



TYP. SECTIONAL ELEVATION

FOR TENDER

REFERENCE DRAWING	DRAWING No.		DRAWING TITLE		REVISIONS	APPROVAL	NAME	DATE	APPROVAL	NAME	DATE	CLIENT: RAJKOT MUNICIPAL CORPORATION (RMC)			
	-		-			DESIGNER	RP	17/01/2024	CLIENT	RMC	17/01/2024	PROJECT: CONSTRUCTION OF HIGH LEVEL BRIDGE ON RAIYA ROAD CONNECTING 2nd RING ROAD & RAIYA CHOWK			
	-		-			CHECKED	ARS	17/01/2024	PROJECT LEADER	ARS	17/01/2024	TITLE: ELECTRICAL LAYOUT OF BRIDGE			
	-		-			DRAWN	AR	17/01/2024	DISCIPLINE	CIVIL	-	SHEET 1 of 1			
FILENAME: 9266-BR-GAD-102_RB_02-10-2024 GAD OF BRIDGE (SOLID SLAB)_HLB RAIYA-ELECTRICAL					REV	DATE	DESCRIPTION	DRN	CHK	<b>DELTA CONSULTING ENGINEERS (INDIA) PVT. LTD.</b> <small>Consulting Engineers &amp; Project Managers (ISO 9001:2008 Certified Company)</small> 101, 2nd Floor, Shree-1, Opp. Shree Plaza, BMA Park Road, Anandwad, Ahmedabad-380015, Gujarat, India. Tel: +917926309991, +917925025564 (M/Fax); +917926309992, email: info@deltinghneerindia.com, web: www.deltinghneerindia.com		SCALE U.O.N. AS SHOWN	DELFW No. 9266-BR-GAD-102	SIZE A1	REV B